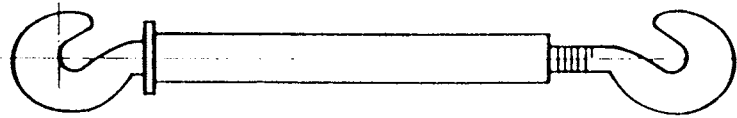


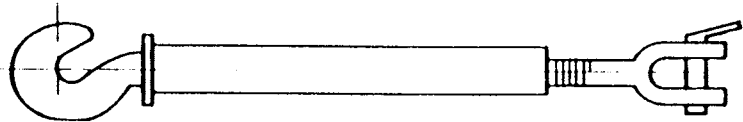
Turnbuckles, closed type

B 1 - B 5

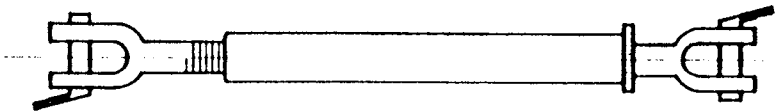
B 1
Hook - hook



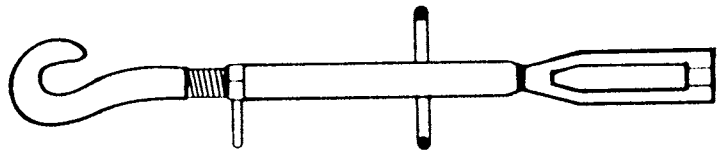
B 2
Hook - jaw



B 3
Jaw - jaw



B 4
Hook - spacer



B 5
Handwheel



| Type | MBL (kN) tension | Weight (kg) | Dimensions min-max (mm) |
|------|---------------------|----------------|----------------------------|
| B 1 | 360/500 | 18,0 | 950-1350 |
| B 2 | 360/500 | 18,0 | 950-1350 |
| B 3 | 360/500 | 18,0 | 950-1350 |
| B 4 | 360 | 16,0 | 950-1350 |
| B 5 | --- | 1,8 | --- |

General specifications:

Material: Shipbuilding steel / forged steel

Finish: Galvanized

Certificate: Workshop certificate, class certificate upon request.

Remark: Other design, dimensions, material and finish upon request.



Seasafe Transport A/S

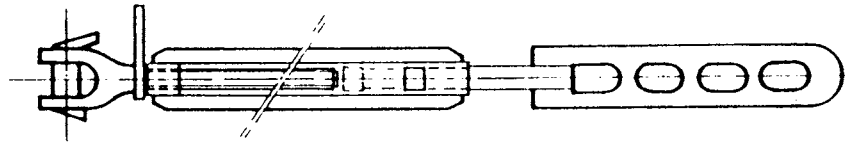
YOU NAME IT - WE LASH IT

Filipstadveien 5, N-0250 OSLO, Norway Phone: + 47 - 23 23 96 00 Telefax: + 47 - 23 23 96 01 E-mail: post@seasafe.no

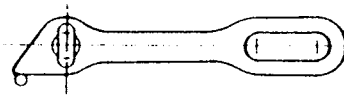
Turnbuckles, open type

B 6 - B 8

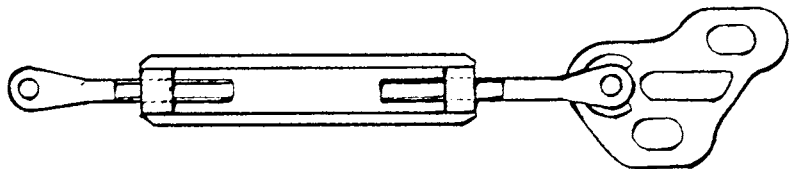
B 6
Jaw - plate



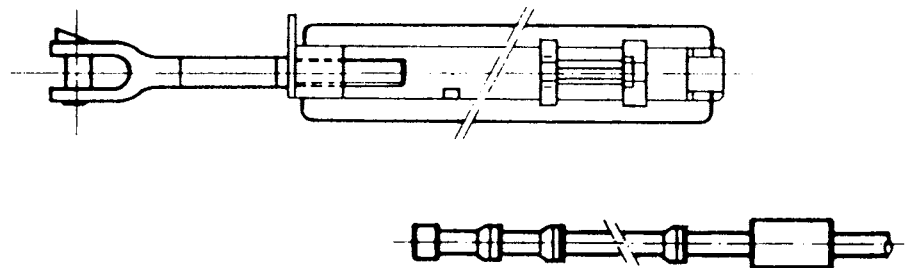
B 6.1
Extension rod
for B 6



B 7
Jaw - whip plate



B 8
Jaw - skid guide



| Type | MBL (kN) tension | Weight (kg) | Dimensions min-max (mm) |
|-------|---------------------|----------------|----------------------------|
| B 6 | 360/500 | 18,0 | 950-1350 |
| B 6.1 | 360/500 | 6,0 | ---- |
| B 7 | 500 | 23,0 | 1200-1800 |
| B 8 | 500 | 13,0 | 1160-1515 |

General specifications:

Material: Forged steel / high tensile steel

Finish: Galvanized

Certificate: Workshop certificate, class certificate upon request.

Remark: Other design, dimensions, material and finish upon request.



Seasafe Transport A/S

YOU NAME IT - WE LASH IT

Filipstadveien 5, N-0250 OSLO, Norway Phone: + 47 - 23 23 96 00 Telefax: + 47 - 23 23 96 01 E-mail: post@seasafe.no

Lashing rods

B 9 - B 13

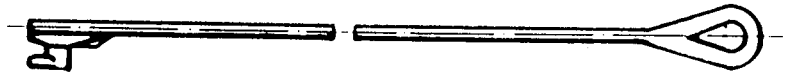
B 9
Eye - eye



B 10
Hook - eye



B 11
Plughook - eye



B 12
Plughook - hook



B 13
Swivelhead - eye



| Type | MBL (kN) tension | Weight (kg) | Length (mm) |
|------|---------------------|----------------------------|----------------|
| B 9 | 360/500 | 2,5 + 3,6 x L _m | upon request |
| B 10 | 360/500 | 3,1 + 3,6 x L _m | upon request |
| B 11 | 360/500 | 2,6 + 3,6 x L _m | upon request |
| B 12 | 360/500 | 2,9 + 3,6 x L _m | upon request |
| B 13 | 360/500 | 2,4 + 3,6 x L _m | upon request |

General specifications:

Material: Forged steel / high tensile steel

Finish: Galvanized

Certificate: Workshop certificate, class certificate upon request.

Remark: Other design, dimensions, material and finish upon request.



Seasafe Transport A/S

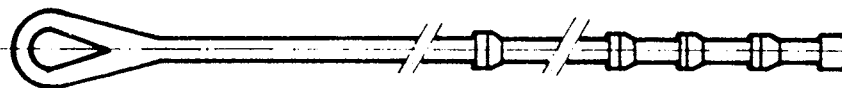
YOU NAME IT - WE LASH IT

Filipstadveien 5, N-0250 OSLO, Norway Phone: + 47 - 23 23 96 00 Telefax: + 47 - 23 23 96 01 E-mail: post@seasafe.no

Lashing rods & wires with steps

B 14 - B 19

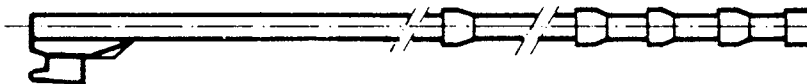
B 14
Eye - steps



B 15
Hook - steps



B 16
Plug hook - steps



B 17
Swivel head - steps



B 18
Eye - steps



B 19
Eye - talurit



| Type | MBL (kN) tension | Weight (kg) | Length (mm) |
|------|---------------------|----------------------------|----------------|
| B 14 | 500 | 2,9 + 3,6 x L _m | upon request |
| B 15 | 500 | 3,4 + 3,6 x L _m | upon request |
| B 16 | 500 | 3,0 + 3,6 x L _m | upon request |
| B 17 | 500 | 2,9 + 3,6 x L _m | upon request |
| B 18 | 210/460 | | upon request |
| B 19 | 210/460 | | upon request |

General specifications:

Material: Forged steel / high tensile steel
 Finish: Galvanized
 Certificate: Workshop certificate, class certificate upon request.
 Remark: Other design, dimensions, material and finish upon request.



Seasafe Transport A/S

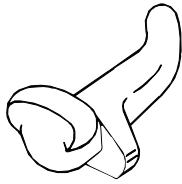
YOU NAME IT - WE LASH IT

Filipstadveien 5, N-0250 OSLO, Norway Phone: + 47 - 23 23 96 00 Telefax: + 47 - 23 23 96 01 E-mail: post@seasafe.no

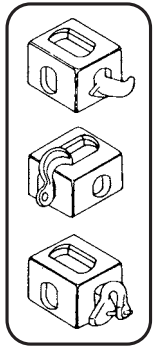
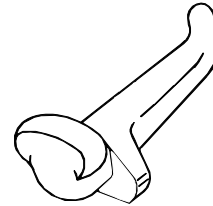
Securing pads & hooks

B 20 - B 25

B 20.1
Penguin hook
short



B 20.2
Penguin hook
long



B 21.1
Hook
short tip



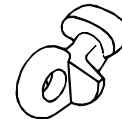
B 21.2
Hook
long tip



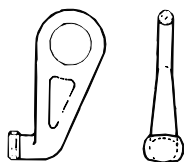
B 22
Eye hook
with locking pin



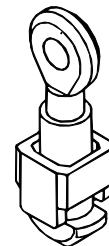
B 23
Eye hook



B 24
Container lifting
hook



B 25
Container lifting
hook



| Type | MBL (kN) | Weight (kg) | Type | MBL (kN) | Weight (kg) |
|--------|----------|-------------|------|----------|-------------|
| B 20.1 | 360 | 2,5 | B 22 | 200 | 2,5 |
| B 20.2 | 360 | 3,0 | B 23 | 200 | 2,5 |
| B 21.1 | 200 | 1,3 | B 24 | 500 | 4,0 |
| B 21.2 | 200 | 1,5 | B 25 | 450 | 6,0 |

General specifications:

- Material: Forged steel
- Finish: Galvanized / painted
- Certificate: Workshop certificate, class certificate upon request.
- Remark: Other design, dimensions, material and finish upon request.



Seasafe Transport A/S

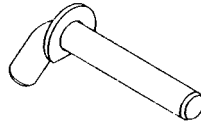
YOU NAME IT - WE LASH IT

Filipstadveien 5, N-0250 OSLO, Norway Phone: + 47 - 23 23 96 00 Telefax: + 47 - 23 23 96 01 E-mail: post@seasafe.no

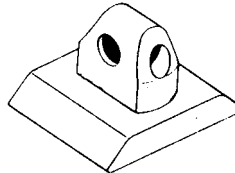
Stacking cones & locking pins

B 26 - B 29

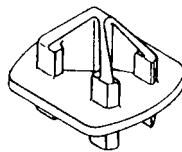
B 26
Locking pin



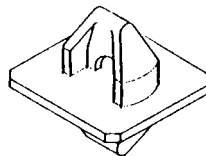
B 27
Dovetail stacking cone



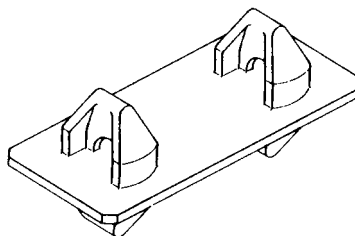
B 28
Bottom stacking cone



B 29.1
Stacking cone
intermediate, single



B 29.2
Stacking cone
intermediate
double transversal



| Type | Gap mm | C/C mm | MBL (kN) shear | Weight (kg) | Dimensions (mm) |
|--------|-----------|-----------|-------------------|----------------|--------------------|
| B 26 | ---- | ---- | 0,8 | 1,8 | Ø28 |
| B 27 | ---- | ---- | 0,2 | 3,5 | 176x140 H32 |
| B 28 | ---- | ---- | 1,5 | 3,0 | 160x120x10 |
| B 29.1 | ---- | ---- | 0,2 | 3,0 | 120x130x10 |
| B 29.2 | 25 | 203 | 0,8 | 8,0 | 150x345x10 |
| | 80 | 258 | 1,6 | 8,3 | 150x380x10 |

General specifications:

Material: Shipbuilding steel / forged steel
 Finish: Galvanized
 Certificate: Workshop certificate, class certificate upon request.
 Remark: Other design, dimensions, material and finish upon request.



Seasafe Transport A/S

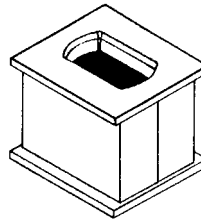
YOU NAME IT - WE LASH IT

Filipstadveien 5, N-0250 OSLO, Norway Phone: + 47 - 23 23 96 00 Telefax: + 47 - 23 23 96 01 E-mail: post@seasafe.no

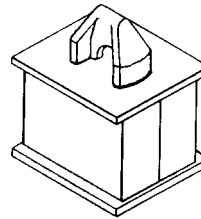
Compensating spacers

B 30 - B 33

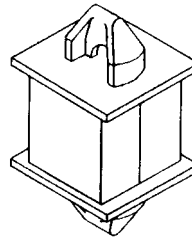
B 30
ISO hole - ISO hole



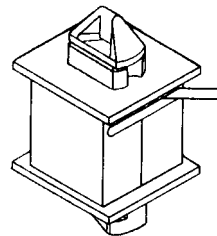
B 31
ISO hole - cone



B 32
Cone - cone



B 33
Fixed base - twistlock



| Type | MBL (kN) compression | Weight (kg) | Dimensions mm |
|------|----------------------|-------------|---------------|
| B 30 | 450 | 7,0 | 160X150X96 |
| B 31 | 450 | 8,0 | 160X150X124 |
| B 32 | 450 | 9,0 | 160X150X152 |
| B 33 | 450 | 12,0 | 160X150X152 |

General specifications:

Material: Shipbuilding steel / forged steel

Finish: Galvanized / painted

Certificate: Workshop certificate, class certificate upon request.

Remark: Other design, dimensions, material and finish upon request.



Seasafe Transport A/S

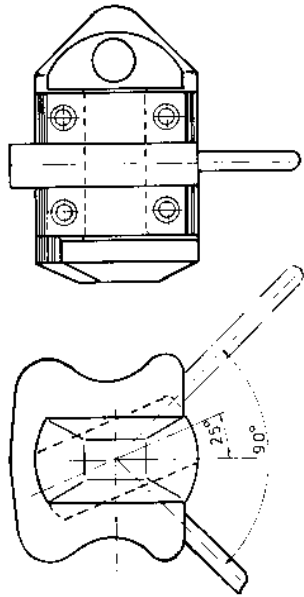
YOU NAME IT - WE LASH IT

Filipstadveien 5, N-0250 OSLO, Norway Phone: + 47 - 23 32 96 00 Telefax: + 47 - 23 23 96 01 E-mail: post@seasafe.no

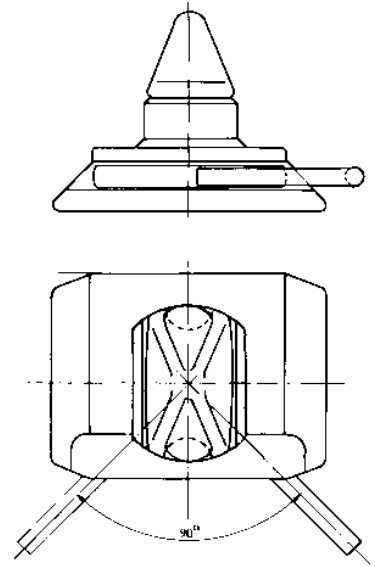
Twistlocks

B 34 - B 37

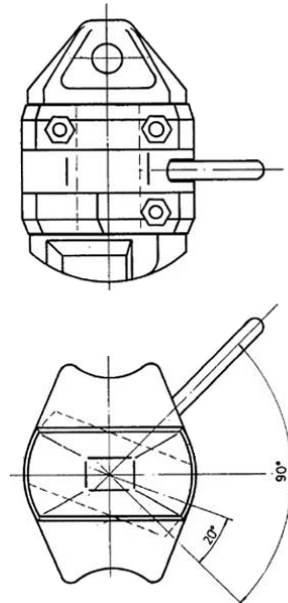
B 34
Double cone
twistlock



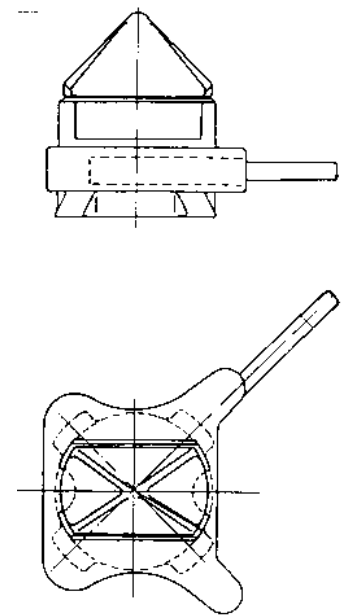
B 35
Dovetail
twistlock



B 36
Intermediate
twistlock



B 37
Breech base
twistlock



| Type | MBL (kN) tension | Weight (kg) | Dimensions mm |
|------|---------------------|----------------|------------------|
| B 34 | 500 | 6,0 | 115x145x28 |
| B 35 | 360 | 5,0 | 176x140x32 |
| B 36 | 500 | 6,5 | 112x140x26 |
| B 37 | 360 | 6,0 | 160x130x29 |

General specifications:

- Material: Forged steel / cast steel
- Finish: Galvanized
- Certificate: Workshop certificate, class certificate upon request.
- Remark: Other design, dimensions, material and finish upon request.



Seasafe Transport A/S

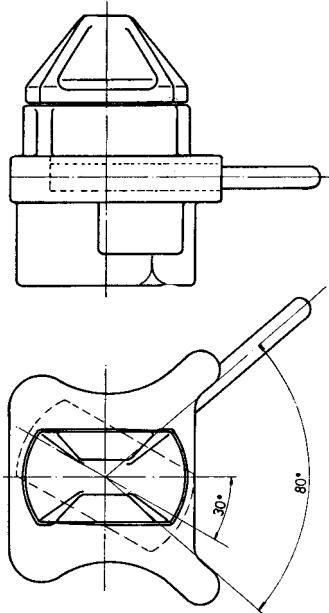
YOU NAME IT - WE LASH IT

Filipstadveien 5, N-0250 OSLO, Norway Phone: + 47 - 23 23 96 00 Telefax: + 47 - 23 23 96 01 E-mail: post@seasafe.no

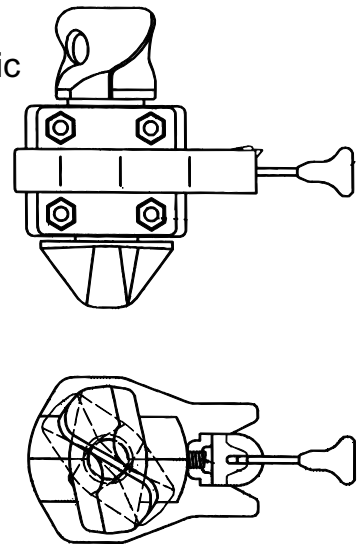
Twistlocks

B38 - B41

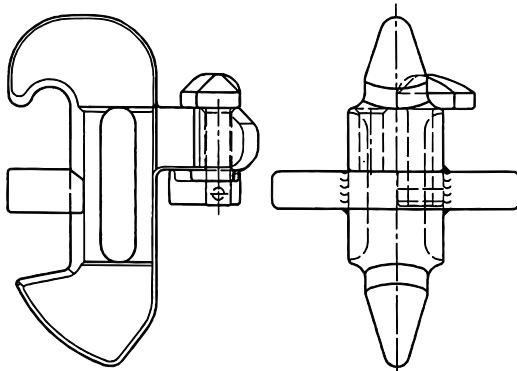
B 38
Fixed base
twistlock



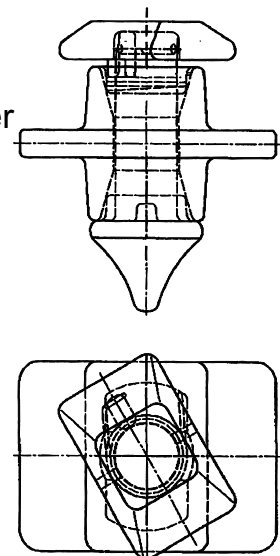
B 39
Semi automatic
twistlock



B 40
Midlock
(Osha) stacker



B 41
Self hanging
(Osha) stacker



| Type | MBL (kN) tension | Weight (kg) | Dimensions mm |
|------|---------------------|----------------|------------------|
| B 38 | 320 | 6,5 | 160x130x28 |
| B 39 | 500 | 7,0 | 155x125x28 |
| B 40 | 500 | 7,0 | 160x160x28 |
| B 41 | 450 (shear) | 4,0 | 90x125x13 |

General specifications:

Material: Forged steel / cast steel

Finish: Galvanized

Certificate: Workshop certificate, class certificate upon request.

Remark: Other design, dimensions, material and finish upon request.



Seasafe Transport A/S

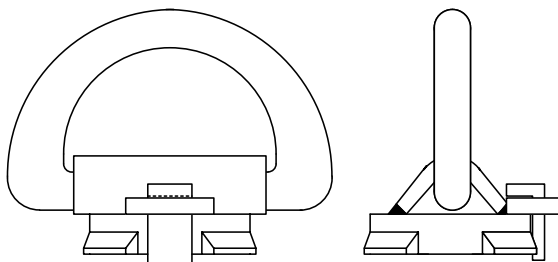
YOU NAME IT - WE LASH IT

Filipstadveien 5, N-0250 OSLO, Norway Phone: + 47 - 23 23 96 00 Telefax: + 47 - 23 23 96 01 E-mail: post@seasafe.no

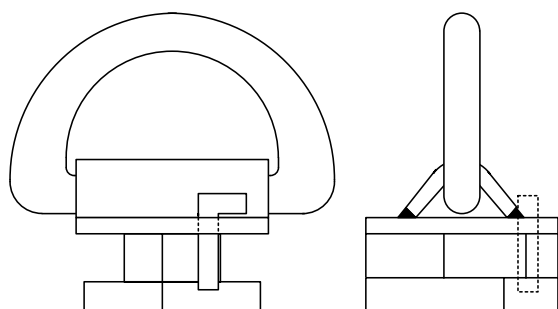
D-ring foundations

B 42 - B 44

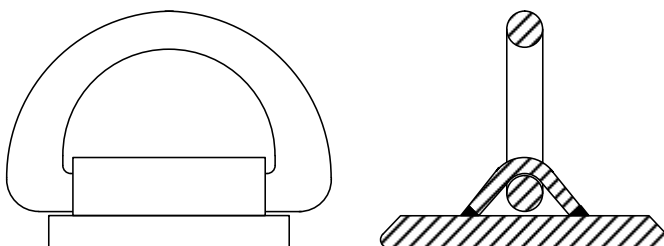
B 42
Breech base
d-ring foundation



B 43
Fixed base
d-ring foundation



B 44
Dovetail
d-ring foundation



| Type | MBL (kN) tension | Weight (kg) | Dimensions mm |
|------|---------------------|----------------|------------------|
| B 42 | 360 | 4,0 | ---- |
| B 43 | 360 | 5,0 | ---- |
| B 44 | 360 | 5,0 | ---- |
| | | | |
| | | | |

General specifications:

- Material: Shipbuilding steel / forged steel
- Finish: Painted
- Certificate: Workshop certificate, class certificate upon request.
- Remark: Other design, dimensions, material and finish upon request.



Seasafe Transport A/S

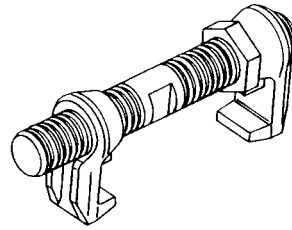
YOU NAME IT - WE LASH IT

Filipstadveien 5, N-0250 OSLO, Norway Phone: + 47 - 23 23 96 00 Telefax: + 47 - 23 23 96 01 E-mail: post@seasafe.no

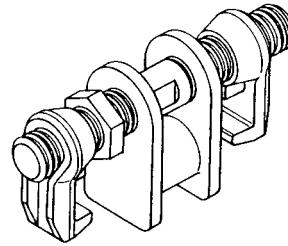
Screw bridge fittings

B 45 - B 48

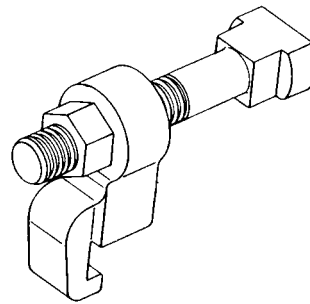
B 45
Single acting
tension



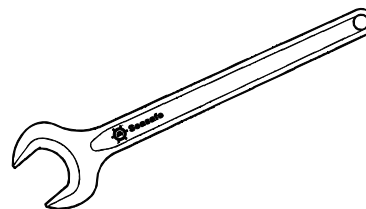
B 46
Double acting
tension-compression



B 47
Single acting
for connecting
8' and 8'6" containers



B 48
Spanner
for screw bridge fitting
operation



| Type | Gap mm | C/C mm | MBL (kN) tension | MBL (kN) compr. | Weight (kg) |
|------|-----------|------------|---------------------|--------------------|----------------|
| B 45 | --- | --- | 100 | --- | 4,5 |
| B 46 | 25 80 | 203 258 | 100 100 | 200 200 | 5,0 5,0 |
| B 47 | --- | --- | 100 | --- | 5,0 |
| B 48 | --- | --- | --- | --- | 0,5 |

General specifications:

Material: Shipbuilding steel / forged steel

Finish: Galvanized

Certificate: Workshop certificate, class certificate upon request.

Remark: Other design, dimensions, material and finish upon request.



Seasafe Transport A/S

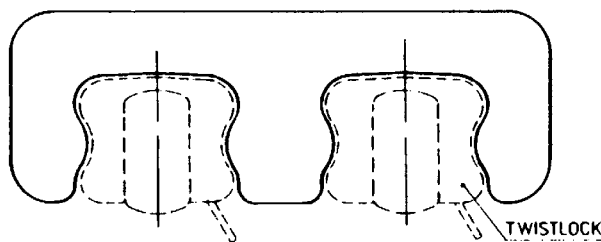
YOU NAME IT - WE LASH IT

Filipstadveien 5, N-0250 OSLO, Norway Phone: + 47 - 23 23 96 00 Telefax: + 47 - 23 23 96 01 E-mail: post@seasafe.no

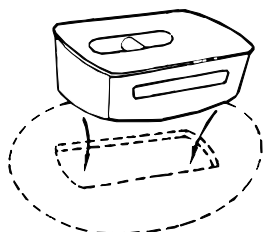
Linkage plates, plugs, etc.

B 49 - B 53

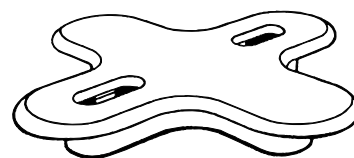
B 49
Linkage plate



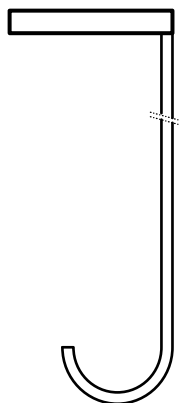
B 50
Rubber plug
for iso deck fittings



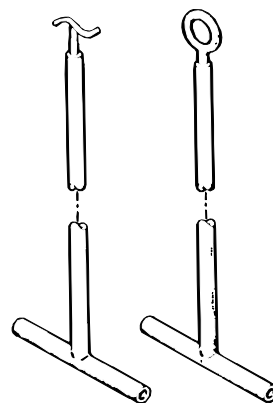
B 51
Plastic plug
for elephant foot
fittings



B 52
Plug remover
for B 50 & B 51



B 53
Twistlock
actuator pole



| Type | MBL (kN) tension | Weight (kg) | Dimensions mm |
|------|------------------|-------------|-------------------|
| B 49 | 250 | 11,0/13,0 | c/c 203/258 |
| B 50 | 500 | 0,3 | Ø124x64x50 |
| B 51 | 500 | 0,2 | 175x50x30 |
| B 52 | 500 | 1,5 | length on request |
| B 53 | 500 | 1,5-10,0 | length on request |

General specifications:

Material: Shipbuilding steel / aluminium / rubber / plastic

Finish: Untreated

Certificate: Workshop certificate, class certificate upon request.

Remark: Other design, dimensions, material and finish upon request.



Seasafe Transport A/S

YOU NAME IT - WE LASH IT

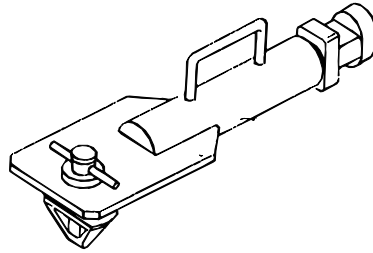
Filipstadveien 5, N-0250 OSLO, Norway Phone: + 47 - 23 23 96 00 Telefax: + 47 - 23 23 96 01 E-mail: post@seasafe.no

Side supports

B 54 - B 57

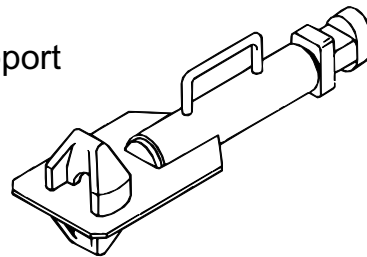
B 54

Top side support
tension - pressure



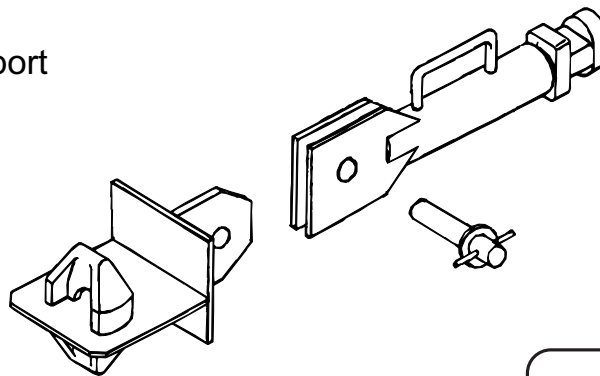
B 55

Intermediate side support
tension - pressure



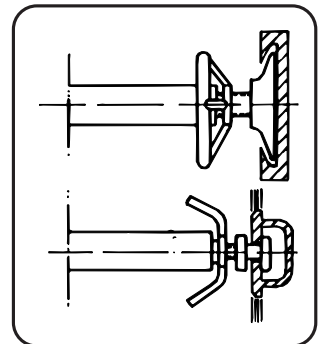
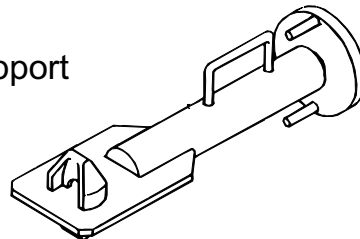
B 56

Removable side support
tension - pressure



B 57

Intermediate side support
pressure



Side supports:

Seasafe offers a wide range of standard side supports, with the possibility to adapt customer specific requirements.

The above shows some of the typical side supports and principles available.

Since side support design, dimensioning, functionality, etc. depend greatly upon customer requirements, details for side supports are only available upon request.

General specifications:

Material: Shipbuilding steel / forged steel

Finish: Painted / galvanized

Certificate: Workshop certificate, class certificate upon request.

Remark: Other design, dimensions, material and finish upon request.

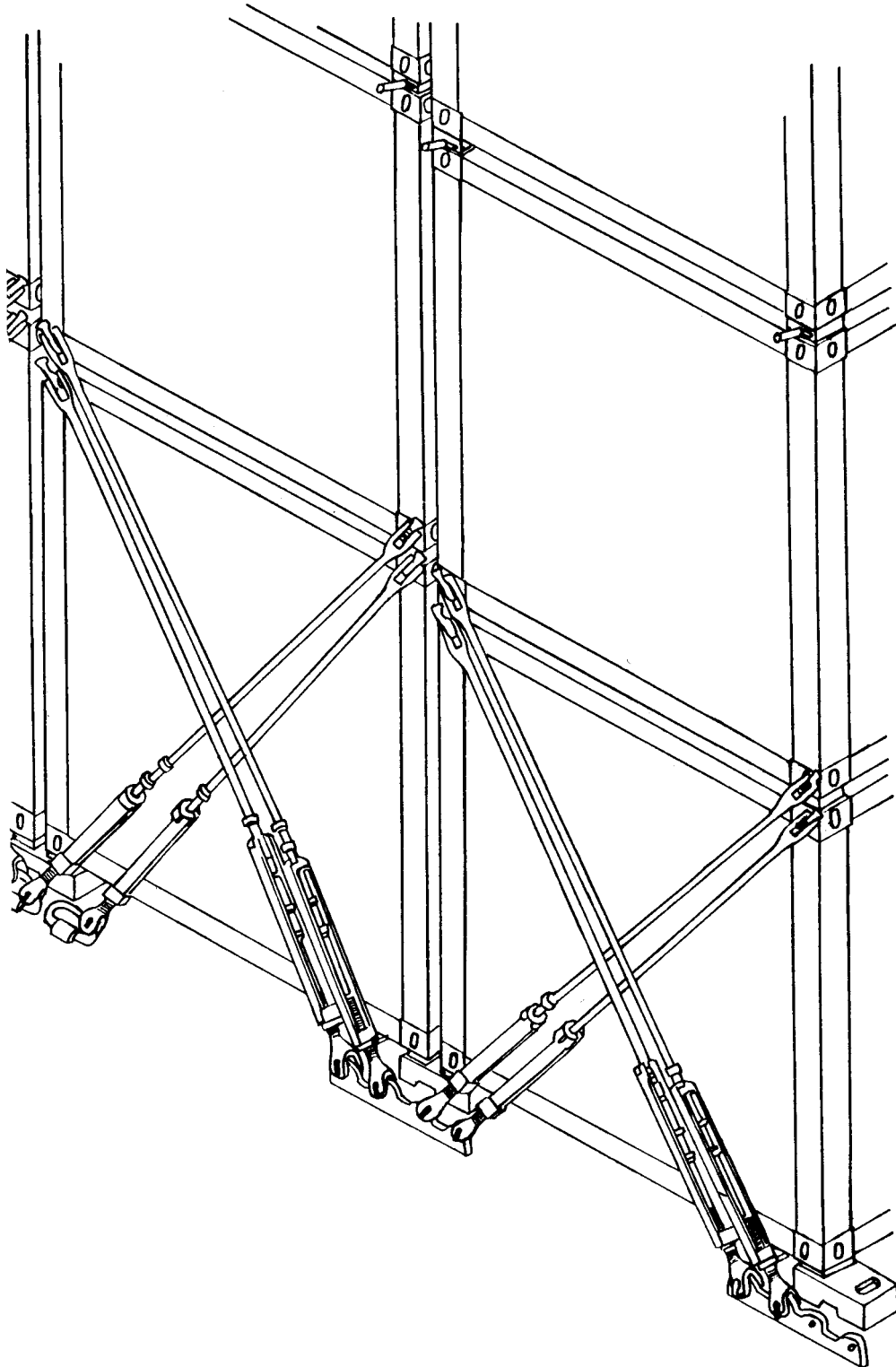


Seasafe Transport A/S

YOU NAME IT - WE LASH IT

Filipstadveien 5, N-0250 OSLO, Norway Phone: + 47 - 23 23 96 00 Telefax: + 47 - 23 23 96 01 E-mail: post@seasafe.no

Paralash system



Seasafe Transport A/S

YOU NAME IT - WE LASH IT

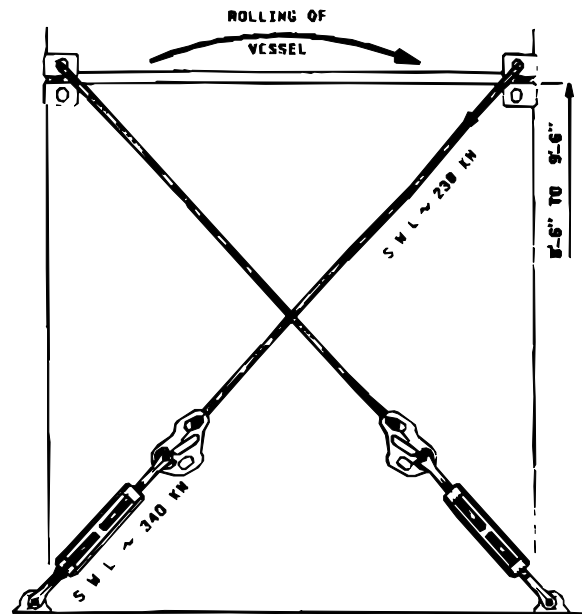
Filipstadveien 5, N-0250 OSLO Norway Phone: + 47 - 23 23 96 00 Fax: + 47 - 23 23 96 01 E-mail: post@seasafe.no

Paralash system



⚙️ **Whip turnbuckle;** one or two rods in one turnbuckle

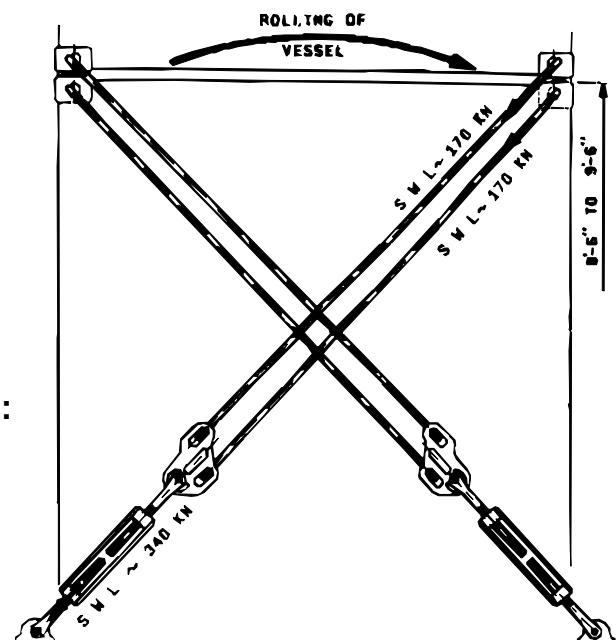
ONE ROD FOR 20 FEET STACKS



⚙️ **Advantages:**

- lower investment
- less lashing time, by ~ 50%
- less operating work
- less maintenance
- less lashing points on hatch covers and decks

TWO RODS FOR 40 FEET STACKS



⚙️ **Whip. turnbuckle specificatons:**

- high adjustment range
- open type, simple maintenance
- hot dip galvanized
- rods msl/mbi: 230/460 kN
- turnbuckle msl/mbi: 340/680 kN
- weight: approx. 21 kg



Seasafe Transport A/S

YOU NAME IT - WE LASH IT

Filipstadveien 5, N-0250 OSLO, Norway Phone: + 47 - 23 23 96 00 Telefax: + 47 - 23 23 96 01 E-mail: post@seasafe.no