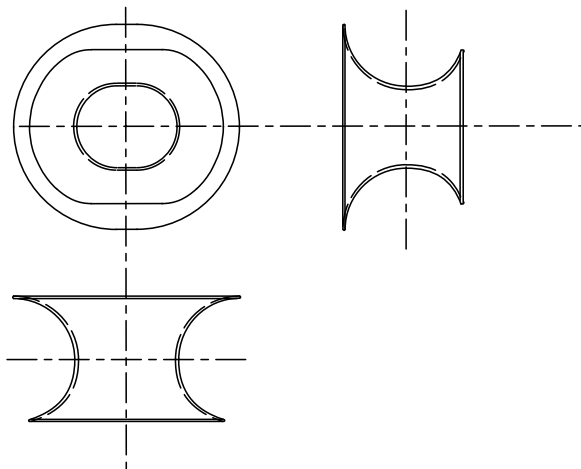


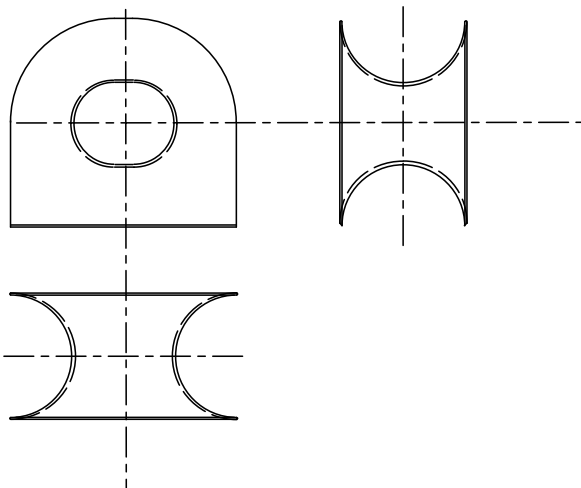
# Клюзы и тумбы Mooring equipment

## D 1 - D 3

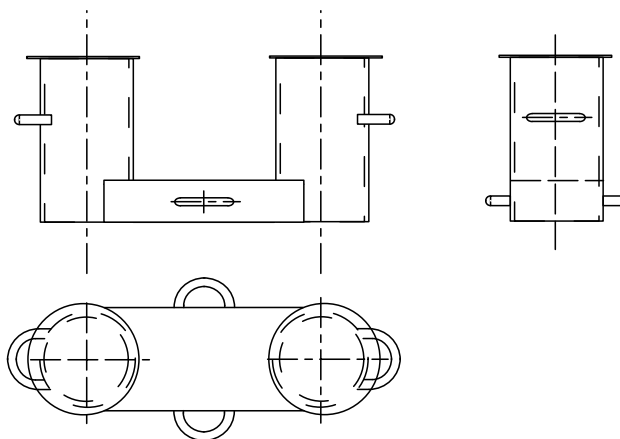
**D 1**  
Chocks  
for installation in bulwark



**D 2**  
Chocks  
free standing type



**D 3**  
Bollards



⚙️ Sizes and break loads upon request

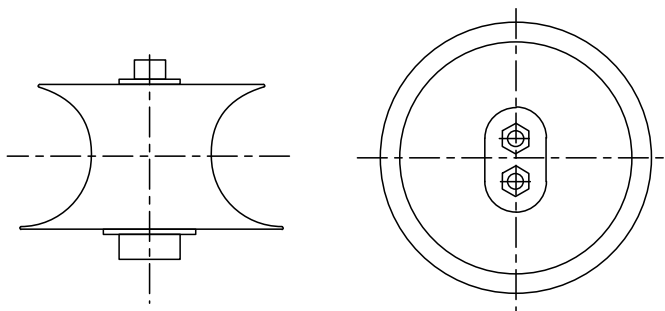


**Seasafe Transport A/S**

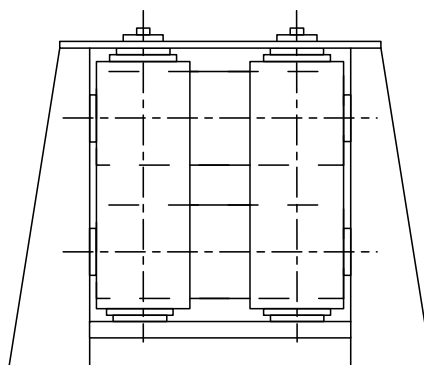
**YOU NAME IT - WE LASH IT**

Oksenøyveien 14, N-1366 LYSAKER, Norway Phone: + 47 - 23 23 96 00 Telefax: + 47 - 23 23 96 01 E-mail: [post@seasafe.no](mailto:post@seasafe.no)

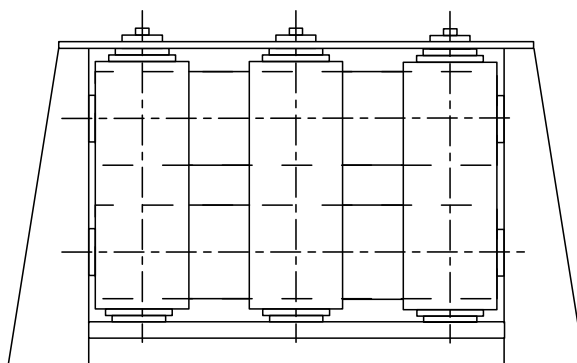
**D 4**  
Roller fairleads



**D 5**  
Roller chocks



**D 6**  
Double roller chocks



⚙️ Sizes and break loads upon request



**Seasafe Transport A/S**

**YOU NAME IT - WE LASH IT**

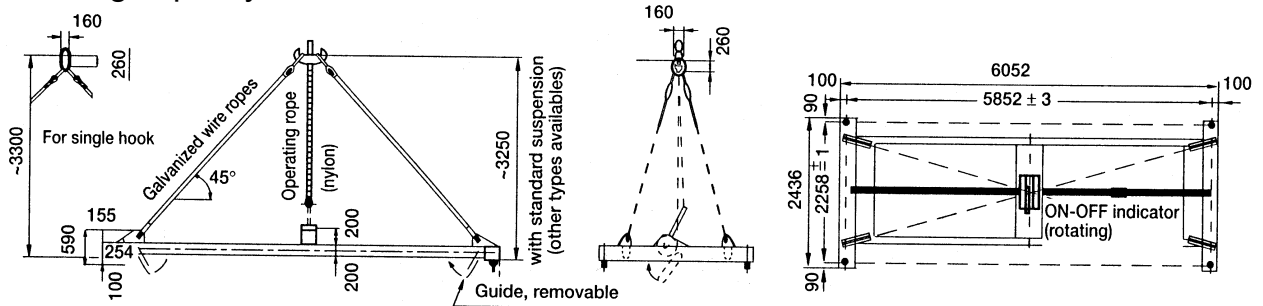
Oksenøyveien 14, N-1366 LYSAKER, Norway Phone: + 47 - 23 23 96 00 Telefax: + 47 - 23 23 96 01 E-mail: [post@seasafe.no](mailto:post@seasafe.no)

# Контейнерные растяжки Container spreaders

## D 7 - D 8

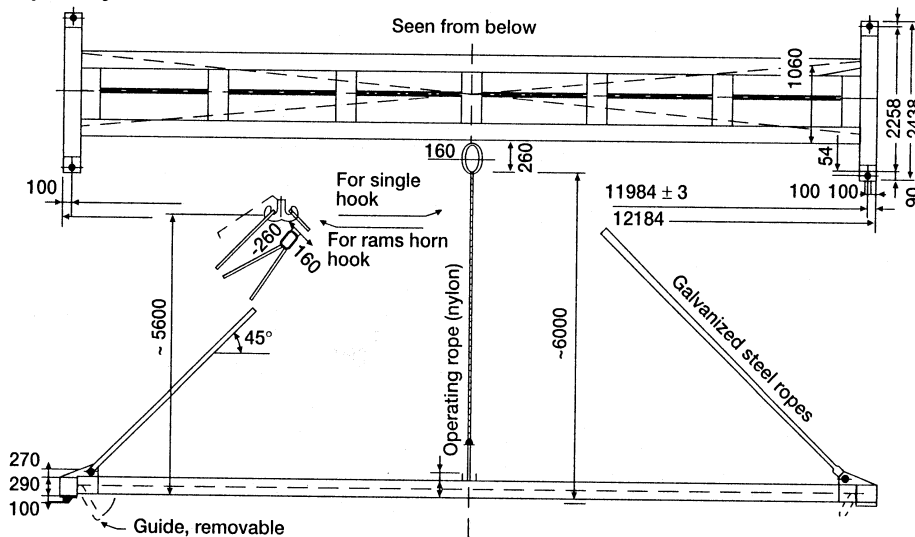
### D 7

20 feet container spreader  
weight: 1000 kg  
lifting capacity 32 tons s.w.l.



### D 8

40 feet container spreader  
weight: 1800 kg  
lifting capacity 35 tons s.w.l.



Type	Capacity (tonnes)	Weight (kg)	Dimensions (mm)
D 7	32,0	1000	5852x2258
	Semi-automatic/Automatic type		
D 8	35,0	1800	11984x2258
	Semi-automatic/Automatic type		
	Telescopic version 35-40 feet also available		

#### General specifications:

Material: Shipbuilding steel  
Finish: Painted  
Certificate: Workshop certificate, class certificate upon request.  
Remark: Other design, dimensions, material and finish upon request.



**Seasafe Transport A/S**

**YOU NAME IT - WE LASH IT**

Oksenøyveien 14, N-1366 LYSAKER, Norway Phone: + 47 - 23 23 96 00 Telefax: + 47 - 23 23 96 01 E-mail: post@seasafe.no

### **Helinos** drinking water sterilizers

#### **Functions:**

The germicidal effect of ultraviolet light purifies water without changing its physical or chemical composition.

The Helinos sterilizers are built upon this principle. No chemicals to add, no allergy effects, no incorrect dosing, however still with outgoing sterilized water.

The Helinos sterilizers consist of vertically set treatment chambers with centered lamps emitting ultra violet light at the passing waterflow.

The dosage of UV is continuously monitored by an electronic unit which is preset at a certain threshold value. If the dosage by any reason should fall below this value, the water supply is automatically shut off. This safeguard makes it impossible to receive untreated water.

#### **Features:**

The Helinos sterilizer, which in standard version guarantees sterilization of water, has:

- electronic monitoring of intensity for each lamp
- display showing total intensity as well as intensity for each lamp
- automatic shut-off when uv-dosage is too low
- cleaning brushes for each chamber
- pressure guarantee for 8,7 bar/cm<sup>3</sup>.

#### **Technical details:**

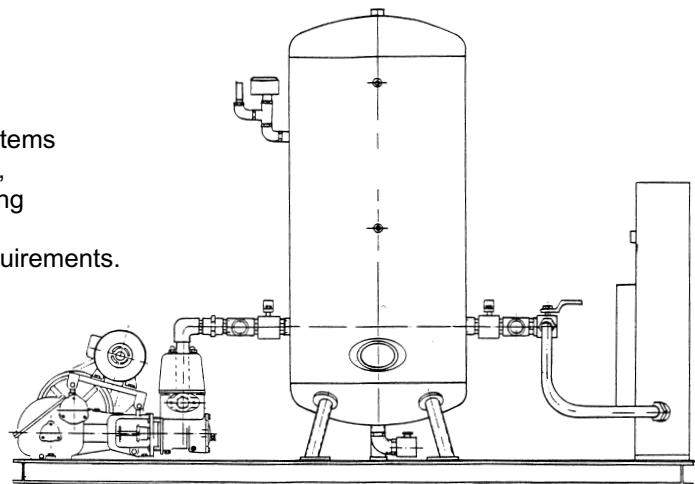
- 220 V, 50/60 Hz, 140-220 W
- dimensions: 447x294x1022 mm / 447x430x1022 mm
- capacity: 3,4 m<sup>3</sup>/h, 4,6 m<sup>3</sup>/h, 6,8 m<sup>3</sup>/h or 10,8 m<sup>3</sup>/h

The Helinos sterilizers are made with treatment chambers in ABS plastic, each unit pressure tested to 9,0 bar, checked and adjusted prior to delivery.



### **Seasafe** hydrophore units

Seasafe delivers complete hydrophore systems mounted on steel frames; including pumps, hydrophore tanks, uv-sterilizers, rehardening filters and hot water calorifiers. Capacities and dimensions according to customer requirements.



# Швартовы Mooring ropes



## Timm Signal Safety mooring ropes:

**Timm Signal Safety** - an improved polypropylene product with a 50 percent higher breaking strength compared to traditional polypropylene quality.

**Timm Signal Safety** has increased resistance to abrasion.

**Timm Signal Safety** is UV-stabilized to protect it from decomposition due to ultra-violet rays.

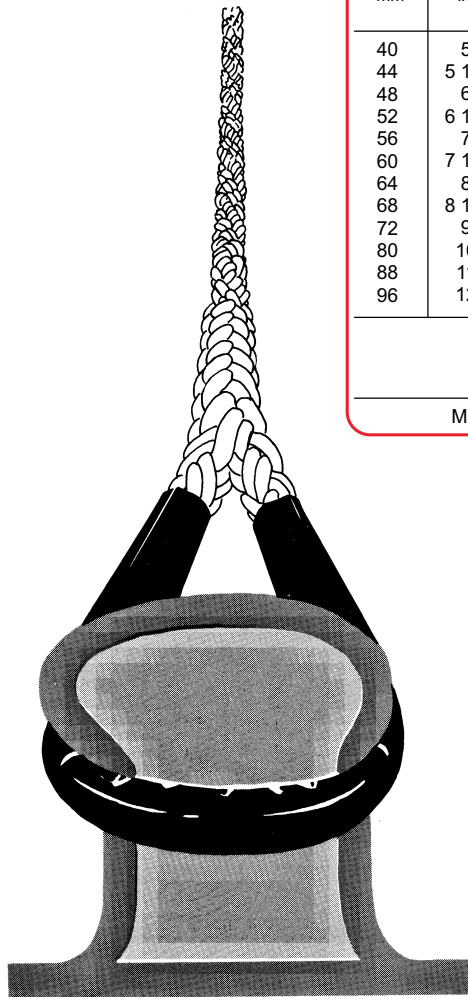
**Timm Signal Safety** is firmly anchored in quality and safety, and gives better operational economy.


**Timm Signal Safety** is supplied with 6 feet mooring eyes, protected with reinforced polyester sheathing.

## Weights and strengths 8-strand plaited mooring ropes

Dia mm	Circ. in	Nylon 3-strand or plaited			Timm Signal Safety Plaited			Polypropylene Standard plaited		
		Weight kg/220m	Break Load kp	Break Load kN	Weight kg/220m	Break Load kp	Break Load kN	Weight kg/220m	Break Load kp	Break Load kN
40	5	229	30000	295	171	30000	295	158	19400	190
44	5 1/2	276	35800	351	201	35000	343	192	23400	230
48	6	330	42000	412	245	41100	403	229	27200	267
52	6 1/2	384	48800	479	282	48000	471	268	31500	309
56	7	446	56000	550	334	55000	540	312	36000	354
60	7 1/2	512	63800	626	379	62100	609	359	41200	404
64	8	582	72000	707	431	70200	689	407	46600	457
68	8 1/2	654	81000	795	491	79500	780	460	52700	517
72	9	738	90000	883	550	88600	869	515	58500	574
80	10	911	110000	1080	676	107800	1058	638	72000	707
88	11	1102	131000	1285	818	129400	1269	772	86400	848
96	12	1313	154000	1510	974	153100	1502	916	102000	1001
		Specific gravity: 1.14 Melting point: 250° C Elongation: 45%			Specific gravity: 0.91 Melting point: 165° C Elongation: 16%			Specific gravity: 0.91 Melting point: 165° C Elongation: 16%		

Manufactured and tested in accordance with ISO standards and DIN normen.



 **Approved by:**  
Det Norske Veritas  
Lloyd's Register of Shipping

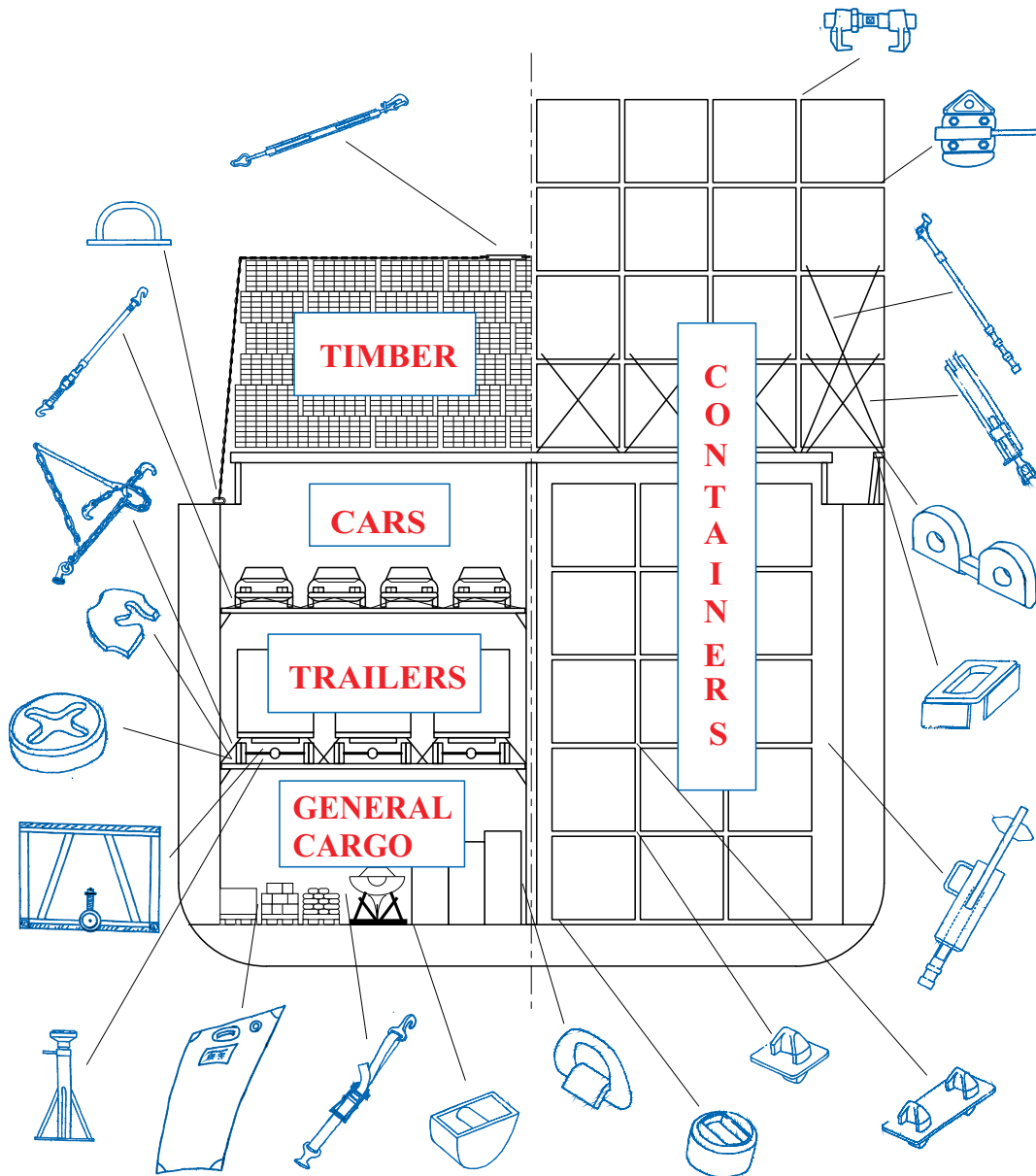


**Seasafe Transport A/S**

**YOU NAME IT - WE LASH IT**

Oksenøyveien 14, N-1366 LYSAKER, Norway Phone: + 47 - 23 23 96 00 Telefax: + 47 - 23 23 96 01 E-mail: [post@seasafe.no](mailto:post@seasafe.no)

Системы крепления грузов  
Cargo Securing Systems



**Seasafe Transport A/S**

**YOU NAME IT - WE LASH IT**

Oksenøyveien 14, N-1366 LYSAKER, Norway Phone: + 47 - 23 23 96 00 Telefax: + 47 - 23 23 96 01 E-mail: [post@seasafe.no](mailto:post@seasafe.no)